

# MSR Gold™ FastFit

## MSR Gold™ 700 FastFit 1CT



All lamps burn out eventually, but when this happens with single ended MSR Gold™ FastFit, it is replaced in seconds – thanks to the specially designed lamp base and lamp holder. This lamp provides a high beam intensity of pure, white light for a truly illuminating performance, while the gold-plated caps provide superior heat protection and prevent premature failure. P3 technology allows use in any position and at higher temperatures, further extending lamp life and consistency of high-quality light output. Also, because the FastFit design is applied to Philips Halogen lamps, switching between lamp technologies can be done quickly and easily.

### Product data

#### • General Characteristics

System Description	FastFit
Cap-Base	PGJX50
Cap-Base Information	PGJX50
Execution	-
Operating Position	any
Main Application	Entertainment
Life to 50% failures	750 hr
EM	

#### • Light Technical Characteristics

Color Rendering Index	80 Ra8
Color Temperature	6000 K
Color Temperature Technical	6000 K
Chromaticity Coordinate X	327 -
Chromaticity Coordinate Y	336 -
Luminous Flux Lamp EM	45500 (min), 50000 (nom) Lm
Luminous Efficacy Lamp EM	71 Lm/W

#### • Electrical Characteristics

Watts	700 W
Lamp Wattage Technical	700 W

Lamp Current	10.2 A
Ignition Supply Voltage	198 (min) V
Dimmable	Yes

#### • Luminaire Design Requirements

Pinch Temperature	500 (max) C
Bulb Temperature	950 (max) C

#### • Product Dimensions

Overall Length C	112 (max) mm
Diameter D	23.2 (max) mm
Width F	41 mm
Light Center Length L	64 (min), 65 (nom), 66 (max) mm
Arc Length O	3.8 mm

#### • Product Data

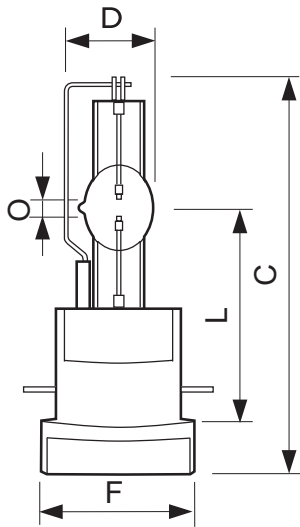
Product number	245597
Full product name	MSR Gold™ 700 FastFit 1CT
Short product name	MSR Gold 700 FastFit 1CT/8
Pieces per Sku	1
eop_pck_cfg	8
Skus/Case	8
Bar code on pack	8727900908046
Bar code on case	8727900908053
Logistics code(s)	928106005114
eop_net_weight_pp	0.100 kg



# PHILIPS

sense and simplicity

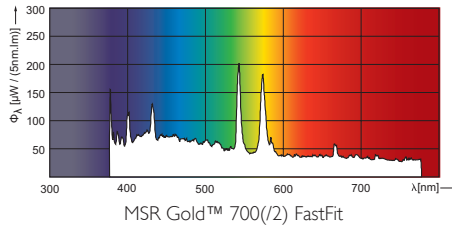
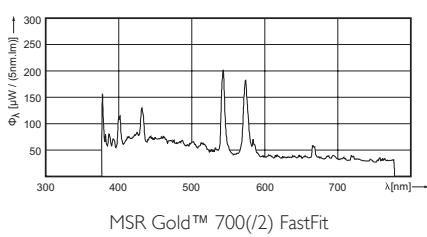
Dimensional drawing



MSR Gold™ 700(2), 1200

Product	A (Min)	A (Norm)	A (Max)	C (Max)	D (Max)	D1 (Norm)	F (Min)	F (Norm)	F (Max)	L (Min)	L (Norm)	L (Max)	O (Norm)
MSR GOLD 700 FastFit	-	-	-	112	23.2	-	-	41	-	64	65	66	3.8

Photometric data



© 2012 Koninklijke Philips Electronics N.V.  
All rights reserved.

Specifications are subject to change without notice. Trademarks are the property of Koninklijke Philips Electronics N.V. or their respective owners.

[www.philips.com/lighting](http://www.philips.com/lighting)

2012, April 13  
data subject to change